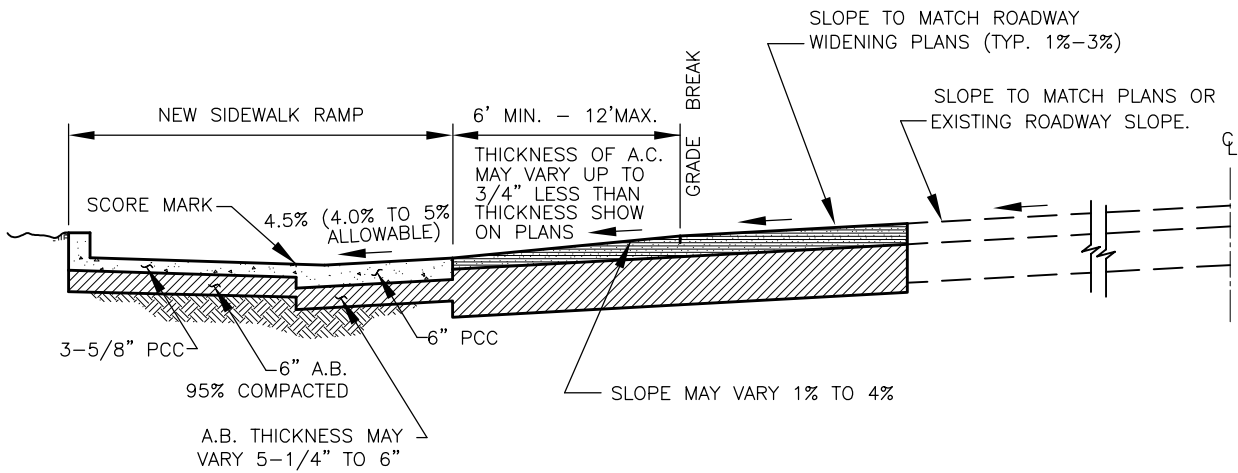


CONSTRUCTION OF NEW SIDEWALK RAMP  
IN EXISTING PAVED AREA  
PLAN VIEW



CONSTRUCTION OF NEW SIDEWALK RAMP  
WITH PAVEMENT WIDENING  
SECTION A - A

DATE: 02/13/2007		NOT TO SCALE		CITY OF ELK GROVE - PUBLIC WORKS		APPROVED BY:					
REVISION	BY	APPROVED	DATE	CITY ENGINEER							
				<b>A.C. CONFORMS TO NEW SIDEWALK RAMP RE-CONSTRUCTION</b>							
								DRAWING NUMBER			
								 <b>ST - 30</b>			