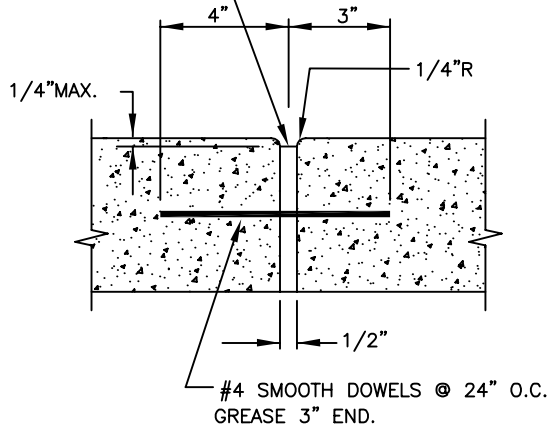
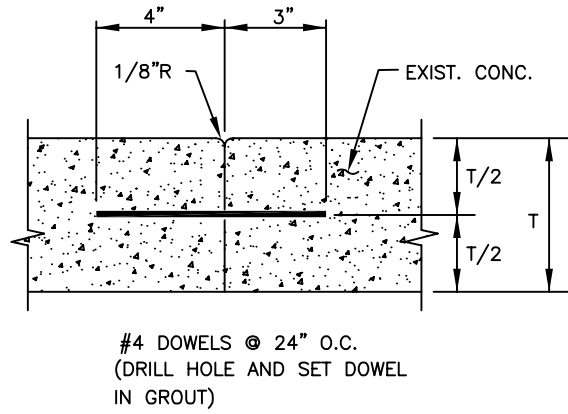


EXPANSION JOINT
FILLER MATERIAL
(MATCH FULL
CONCRETE SECTION)

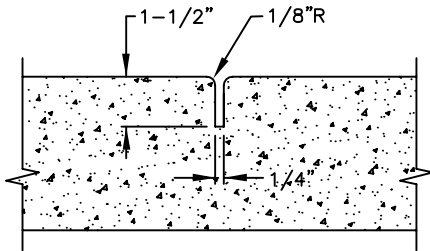


EXPANSION JOINT

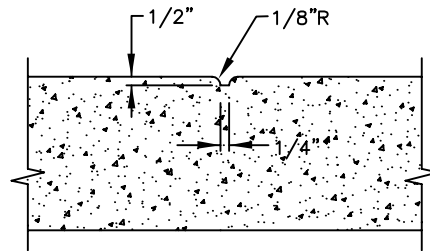


SIDEWALK CONTACT JOINT

(USE WHERE NEW CONSTRUCTION OF S/W AND
OR CURB & GUTTER ABUTTS EXISTING IMPROVEMENTS.)




WEAKENED PLANE JOINT



SCORE MARK

NOTE:
JOINT SPACING PER SECTION 27-3.01

DATE: 01/19/2007		NOT TO SCALE		CITY OF ELK GROVE - PUBLIC WORKS		APPROVED BY:	
REVISION	BY	APPROVED	DATE	STANDARD CONCRETE JOINT DETAILS		CITY ENGINEER	
						DRAWING NUMBER	
							
						ST - 39	